

90 Degree Adjustable Elbow



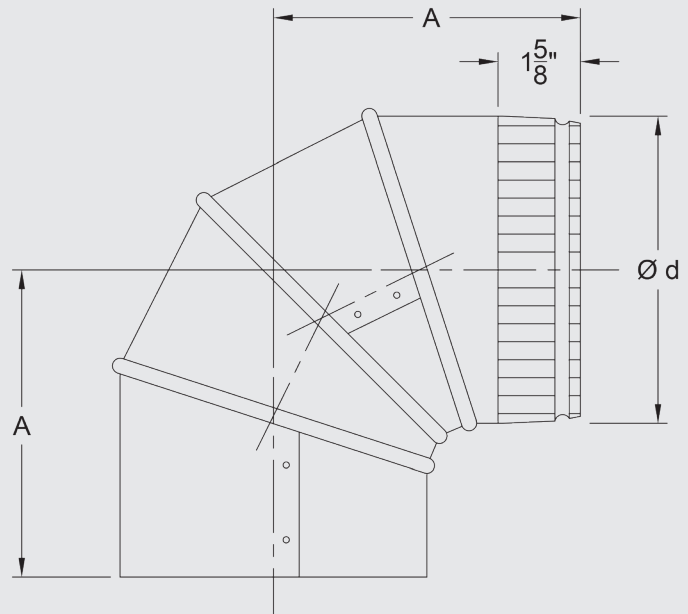
Technical Data

- Galvanized Steel (ASTM A653 and A924)
- Standard product is supplied in 26 GA, G-60 coating (ASTM A653 and ASTM A90)
- Available in Specialty Metals:
 - G-90 Galvanized Steel
 - Aluminum (ASTM B209 Alloy 3003 Temper H14)
 - 304 Stainless Steel (ASTM A480 2B Finish)
- Pressure Rating: -1" WG to +2" WG
- Dimensional Tolerance: $\pm 1/4"$

Product Availability

Size (Ød)	Gauge Availability			Quantity Per Skid	Dimension A
	28 Ga.	26 Ga.	24 Ga.		
3"	Yes	Yes	Yes	960 - 36x48	4 1/2"
4"	Yes	Yes	Yes	576 - 36x48	5"
5"	Yes	Yes	Yes	324 - 36x48	5 1/2"
6"	Yes	Yes	Yes	216 - 36x48	6"
7"	Yes	Yes	Yes	144 - 42x42	6 1/2"
8"	Yes	Yes	Yes	144 - 42x42	7"
9"	Yes	Yes	Yes	96 - 44x44	8 1/2"
10"	Yes	Yes	Yes	96 - 48x48	9"
12"	Yes	Yes	Yes	96 - 65x65	10"
14"	Yes	Yes	Yes	80 - 65x65	10 1/2"
16"	Yes	Yes	Yes	64 - 65x65	12"
18"	Yes	Yes	Yes	16 - 48x48	14"
20"	Yes	Yes	Yes	12 - 48x48	15"
22"	‡	‡	‡	1 - 48x48	‡
24"	‡	‡	‡	1 - 48x48	‡

‡ Consult factory for availability.



Part Number Schematic

Example: **AEC890GA26**** = 90° Adjustable Elbow for 8" Pipe in 26Ga. Galvanized Steel with Both Ends Crimped

AE	C	8	90°	GA	26
Adjustable Elbow	Crimp Both Ends (Opt. Special Order)	Elbow Diameter (Ød)	90° Elbow	Material GA-Galvanized (Std.) AL - Aluminum S4 - 304 S.S.	Gauge GA - 28, 26, 24 AL - 32 S4 - 26

** Add 90 for G90 Galvanized Coating
 Items in green denote other available features
 Check with your sales representative for availability of any size, gauge, or specialty metal item not shown here.